

## F&B PRO

THE MARKET STANDARD FOR THE  
FOOD INDUSTRY FROM MURRELEKTRONIK

**The F&B range of plug connectors from Murrelektronik was specifically designed for use in the food industry.**

Features such as high chemical resistance, excellent cleanability, and drag chain capability (bending and torsion) allow the PP lines to be used in all food production areas.

### Perfect for the food industry

- UL-approved
- FDA-compliant materials (EU) 10/2011, EC 1935/2004
- Wide temperature range from -40 °C to +105 °C
- Hygienic design based on EHEDG specifications
- Halogen-free
- Resistant to UV radiation according to DIN EN ISO 4892-2A (2013) and to OZONE according to ISO 1431-1 A
- Sealed according to protection classes IP65, IP66K, IP67, IP68 and IP69K
- Coloring for easy detection of foreign bodies
- V4A stainless steel screw connection (1.4404)
- Highly flexible cable for 5 million bending cycles and 2 million torsion cycles
- Tested chemical resistance

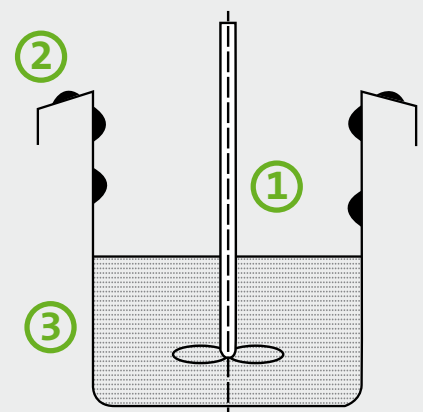


### Machine areas

as defined in DIN EN 1672-2 and ISO 14159

- ① Food zone
- ② Spray zone
- ③ Non-food zone or dry zone

Zones 1 and 2 must be designed in accordance with the same Hygienic Design Principles.



## Unshielded

Free conductor end	Art. No.
M12 male connector, 3-pin, straight	7024-12001-315xxxx
M12 male connector, 4-pin, straight	7024-12021-321xxxx
M12 male connector, 5-pin, straight	7024-12041-339xxxx 7024-12041-365xxxx
M12 male connector, 8-pin, straight	7024-17001-312xxxx
M12 male connector, 3-pin, angled	7024-12081-315xxxx
M12 male connector, 4-pin, angled	7024-12101-321xxxx
M12 male connector, 5-pin, angled	7024-12121-339xxxx 7024-12121-365xxxx
M12 male connector, 8-pin, angled	7024-17021-312xxxx
M12 female connector, 3-pin, straight	7024-12181-315xxxx
M12 female connector, 4-pin, straight	7024-12221-321xxxx
M12 female connector, 5-pin, straight	7024-12241-339xxxx 7024-12241-365xxxx
M12 female connector, 8-pin, straight	7024-17041-312xxxx
M12 female connector with LED, 3-pin, angled	7024-12381-315xxxx
M12 female connector with LED, 4-pin, angled	7024-12421-321xxxx
M12 female connector with LED, 5-pin, angled	7024-12441-339xxxx 7024-12441-365xxxx
Connecting cable	Art. No.
M12 male connector, straight - M12 female connector, straight, 3-pin	7024-40001-315xxxx
M12 male connector, straight - M12 female connector, straight, 4-pin	7024-40021-321xxxx
M12 male connector, straight - M12 female connector, straight, 5-pin	7024-40041-339xxxx 7024-40041-365xxxx
M12 male connector, straight - M12 female connector, straight, 8-pin	7024-48001-312xxxx
M12 male connector, straight - M12 female connector, angled, 3-pin	7024-40101-315xxxx
M12 male connector, straight - M12 female connector, angled, 4-pin	7024-40121-321xxxx
M12 male connector, straight - M12 female connector, angled, 5-pin	7024-40141-339xxxx 7024-40141-365xxxx
M12 male connector, straight - M12 female connector, angled, 8-pin	7024-48011-312xxxx
M12 male connector, angled - M12 female connector, straight, 3-pin	7024-40171-315xxxx
M12 male connector, angled - M12 female connector, straight, 4-pin	7024-40201-321xxxx
M12 male connector, angled - M12 female connector, straight, 5-pin	7024-40221-339xxxx 7024-40221-365xxxx
M12 male connector, angled - M12 female connector, straight, 8-pin	7024-48031-312xxxx
M12 male connector, angled - M12 female connector, angled, 3-pin	7024-40241-315xxxx
M12 male connector, angled - M12 female connector, angled, 4-pin	7024-40261-321xxxx
M12 male connector, angled - M12 female connector, angled, 5-pin	7024-40281-339xxxx 7024-40281-365xxxx
M12 male connector, angled - M12 female connector, angled, 8-pin	7024-48021-312xxxx
M12 male connector, straight - M12 female connector, angled, 3-pin, with LED	7024-40321-315xxxx
M12 male connector, straight - M12 female connector, angled, 4-pin, with LED	7024-40341-321xxxx
M12 male connector, straight - M12 female connector, angled, 5-pin, with LED	7024-40361-339xxxx 7024-40361-365xxxx
M12 male connector, angled - M12 female connector, angled, 3-pin, with LED	7024-40401-315xxxx
M12 male connector, angled - M12 female connector, angled, 4-pin, with LED	7024-40421-321xxxx
M12 male connector, angled - M12 female connector, angled, 5-pin, with LED	7024-40441-339xxxx 7024-40441-365xxxx

## Cube

Description	Art. No.
M12 male connector, 6-pin, termination	7024-15041-0000000
M12 male connector, straight - M12 female connector, straight, 6-pin Shielded	7024-46041-523xxxx

## Shielded

Free conductor end	Art. No.
M12 male connector, 3-pin, straight	7024-13061-370xxxx
M12 male connector, 4-pin, straight	7024-13081-371xxxx
M12 male connector, 5-pin, straight	7024-13101-372xxxx 7024-13101-400xxxx
M12 male connector, 3-pin, angled	7024-13121-370xxxx
M12 male connector, 4-pin, angled	7024-13141-371xxxx
M12 male connector, 5-pin, angled	7024-13161-372xxxx 7024-13161-400xxxx
M12 female connector, 3-pin, straight	7024-13181-370xxxx
M12 female connector, 4-pin, straight	7024-13201-371xxxx
M12 female connector, 5-pin, straight	7024-13221-372xxxx 7024-13221-400xxxx
M12 female connector, 3-pin, angled	7024-13241-370xxxx
M12 female connector, 4-pin, angled	7024-13261-371xxxx
M12 female connector, 5-pin, angled	7024-13281-372xxxx 7024-13281-400xxxx
Connecting cable	Art. No.
M12 male connector, straight - M12 female connector, straight, 3-pin	7024-40481-370xxxx
M12 male connector, straight - M12 female connector, straight, 4-pin	7024-40501-371xxxx
M12 male connector, straight - M12 female connector, straight, 5-pin	7024-40521-372xxxx 7024-40521-400xxxx
M12 male connector, straight - M12 female connector, angled, 3-pin	7024-40545-370xxxx
M12 male connector, straight - M12 female connector, angled, 4-pin	7024-40511-371xxxx
M12 male connector, straight - M12 female connector, angled, 5-pin	7024-40541-372xxxx 7024-40541-400xxxx
M12 male connector, angled - M12 female connector, straight, 3-pin	7024-40475-370xxxx
M12 male connector, angled - M12 female connector, straight, 4-pin	7024-40211-371xxxx
M12 male connector, angled - M12 female connector, straight, 5-pin	7024-40471-372xxxx 7024-40471-400xxxx
M12 male connector, angled - M12 female connector, 3-pin, angled	7024-40495-370xxxx
M12 male connector, angled - M12 female connector, straight, 4-pin	7024-40491-371xxxx
M12 male connector, angled - M12 female connector, straight, 5-pin	7024-40451-372xxxx 7024-40451-400xxxx

## Flange

Description	Art. No.
M12 male connector, 4-pin, front wall mounting	7024-13501-971xxxx
M12 male connector, 5-pin, front wall mounting	7024-13521-972xxxx 7024-13521-975xxxx
M12 male connector, 8-pin, front wall mounting	7024-17161-973xxxx
M12 female connector, 4-pin, front wall mounting	7024-13541-971xxxx
M12 female connector, 5-pin, front wall mounting	7024-13561-972xxxx 7024-13561-975xxxx
M12 female connector, 8-pin, front wall mounting	7024-17181-973xxxx